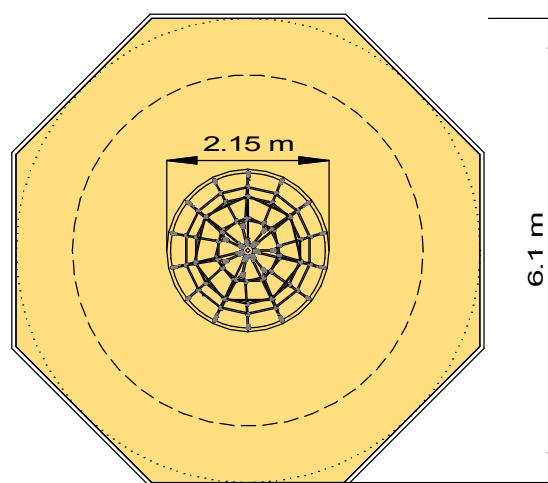
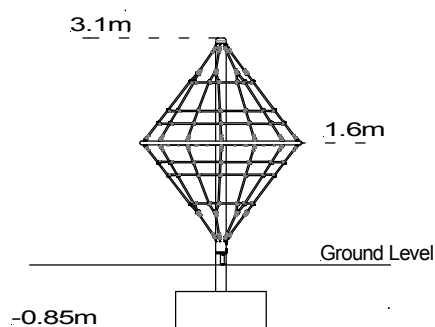


Climbers – Diamond Climber 3.0m



Technical Information

Equipment Dimensions

Length / Width / Height **2.15m x 2.15m x 3.0m**

Surfacing and Area Required

Minimum Space Required L/W/H **6.15m x 6.15m x 4.9m**

Max Gradient of Ground **1 in 50**

Free Height of Fall **1.6m**

Impact Area **31.33m²**

Loosefill (Bark / Cushionfall / Sand) at 250mm **8m³**

Grasslok Tiles **41m²**

Installation Information

Overall Weight **110kg**

Heaviest Part **85kg**

Largest Part **2.15m x 2.15m x 0.2m**

Longest Part **2.9m**

Concrete Required **0.72m³**

TUV CERTIFIED TO BS EN 1176