

# Little Hamlets – Brill Plus



**A toddler tower system comprising of:**

- 2 x Square Tower (0.55m)
- Slide (0.55m)
- Transfer Platform
- Arched Ramp (0.55m)
- Ladder (0.55m)
- Arched Net (0.55m)
- Net Traverse
- Finger Maze Play Panel
- Counter Play Panel

-  Option A-  
Light Blue/Yellow
-  Option B-  
Purple/Yellow
-  Option C-  
Green  
(Shown)

**Code – LTH/BRL/\*2**

<b>Age</b>
2-5 years
<b>Materials</b>
Laminated Timber
Compact Grade Laminate (CGL)
Galvanised or Painted Mild Steel
Nylon Steel Cored Rope
Stainless Steel Slide
Stainless Steel
Various Plastic Mouldings

## Technical Information

### Equipment Dimensions

Length / Width / Height **4.4m x 2.3m x 1.9m**

### Surfacing and Area Required

Recommended Minimum Space  
L/W/H **7.4m x 5.9m x 1.9m**

Max Gradient of Ground **1 in 50**

Free Height of Fall **0.55m**

Impact Area **25.49m<sup>2</sup>**

Synthetic Area  
(i.e. EPDM / Wetpour / Synthetic Grass etc.) **20.31m<sup>2</sup>**

Loosefill at 150mm  
(i.e. Bark / Cushionfall / Sand) **6m<sup>3</sup>**

Grasslok Tiles **29m<sup>2</sup>**

### Installation Information

Steel Ground Fixed

Surface Fixed  
(if different)

Installation Time **2 Person(s) 10 Hour(s)**

Overall Weight **262kg**

Heaviest Part **20kg**

Largest Part **1.3m x 0.5m x 0.2m**

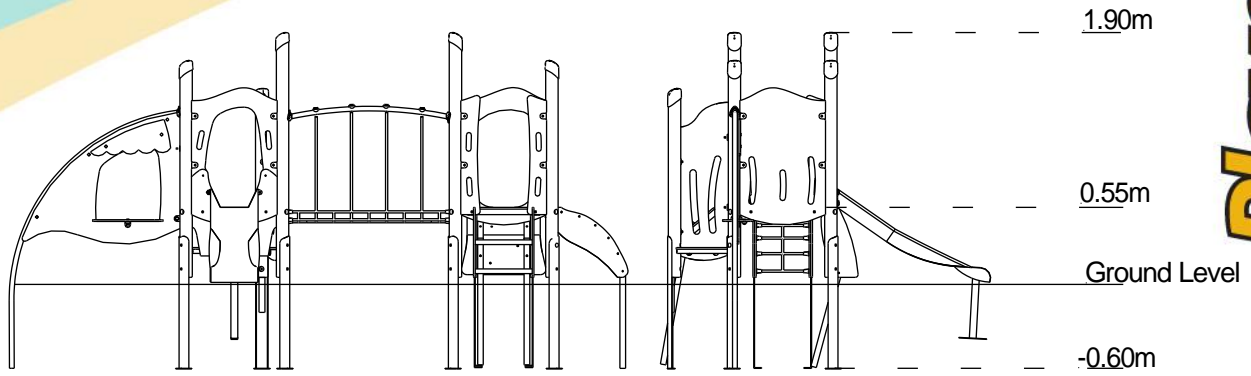
Longest Part **1.3m**

Concrete Required **0.6m<sup>3</sup>**

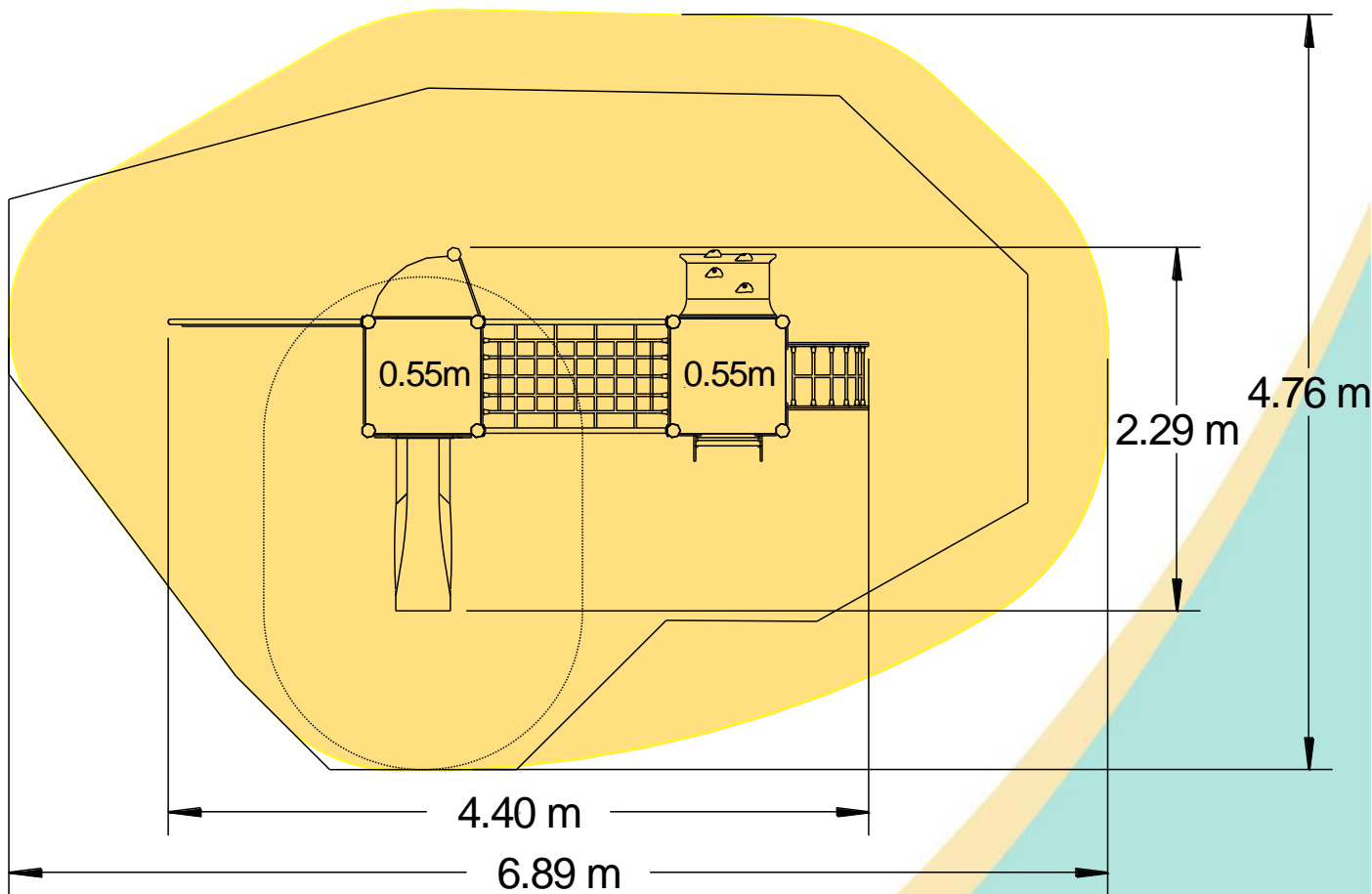
Certified to EN 1176

[Click here for more information & downloads](#)





-  Impact Area
-  Free Space
-  Synthetic Area



[Click here for more information & downloads](#)

