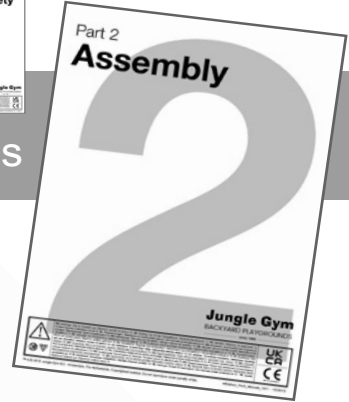
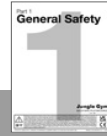


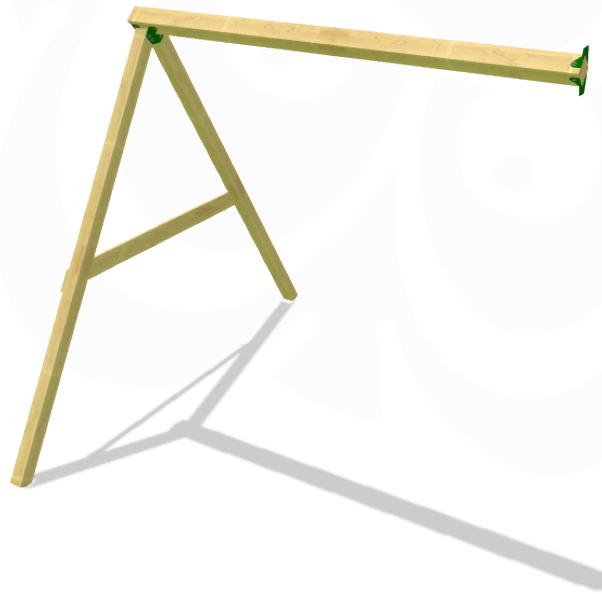
Part 2

Assembly

Instructions







Config ID: PIJvLN
Product Name: 2- Swing Module 200 - 3.0
Product ID: 211436
Manual ID: 040_181



Jungle Gym

BACKYARD PLAYGROUNDS

since 1988

| | | |
|---|--|--|
| <p>Assembly time 1.5 hours by 2 adults</p>  | <p> EN. Warnings. Only for domestic use. Maximum number of users is 1. DE. Achtung. Nur für den Hausgebrauch. Maximale Benutzerzahl: 1. FR. Attention. Réserve à un usage familial. Le nombre maximal d'utilisateurs est de 1. NL. Waarschuwingen. Uitsluitend voor huishoudelijk gebruik. Het maximale aantal gebruikers is 1. BG. Внимание. За употреба само в домашни условия. Максималният брой потребители е 1. CS. Varování. Jen pro domácí použití. Maximální počet uživatelů je 1. DA. Advarsler. Kun til privat brug. Maksimum antal brugere er 1. EL. Προειδοποιήσεις. Μόνο για οικιακή χρήση. Μέγιστος αριθμός χρηστών 1. ES. Advertencias. Sólo para uso doméstico. Número máximo de usuarios: 1. ET. Hoiatused. Ainult koduseks kasutamiseks. Maksimaalne kasutajate arv on 1. FI. Varoitukset. Ainoastaan kotikäyttöön. Käyttäjää yhteensä enintään 1. HR. Upozorenja. Samo za kućansku uporabu. Maksimalan broj korisnika je 1. HU. Figyelmeztetések. Csak otthoni használatra! A használók max. száma: 1. IS. Varnaðarorð. Eingöngu fyrir einkanotkun í heimahúsum og á einkalóðum. Hámarksfjöldi notenda er 1. IT. Avvertenze. Solo per uso domestico. Massimo numero di utenti è 1. LT. Įspėjimai. Tik buitiniam naudojimui. Maksimalus naudotojų skaičius 1. LV. Brīdinājumi. Izmantot tikai mājās. Maksimālais lietotāju skaits ir 1. NO. Advarsler. Kun for privat bruk. Maksimalt antall brukere er 1. PL. Ostrzeżenia. Wyłącznie do użytku domowego. Maksymalna liczba użytkowników to 1. PT. Avisos. Apenas para uso doméstico. O número máximo de utilizadores é 1. RO. Avertismente. Numai pentru uz domestic. Numărul maxim de utilizatori este 1. RU. Предостережения. Только для домашнего использования. Максимальное количество пользователей - 1. SK. Upozornenia. Iba na domáce použitie. Maximálne množstvo osôb je 1. SL. Opozorila. Samo za domačo uporabo. Maksimalno število uporabnikov je 1. SR. Upozorenja. Samo za kućnu upotrebu. Maksimalan broj korisnika je 1. SV. Varningar. Endast för hemmabruk. Det maximala antalet användare är 1. TR. Uyarılar. Sadece ev kullanımı için. Maksimum kullanıcı sayısı</p> | <p>UK CA CE EN 71-1, 2, 3, 8 & 9</p>   |
|---|--|--|

1 Helpdesk JungleGym

FAQ & Support



English



Deutsch



Français



Nederlands



info@junglegym.com



EU 0031 85 44 44 100

AT 0043 72 08 153 33

BE 0032 78 48 16 19

CH 0041 43 50 87 350

DE 0049 32 22 10 98 299

ES 0034 657 76 64 25

FR 0033 97 75 58 222

IE 0035 38 1800 0300

LU 0035 22 08 80 512

NL 0031 85 44 44 102

UK 0044 20 369 505 53

Monday-Friday,
CET 9:00am - 5:00pm
Local phone charges may apply.

2 Start

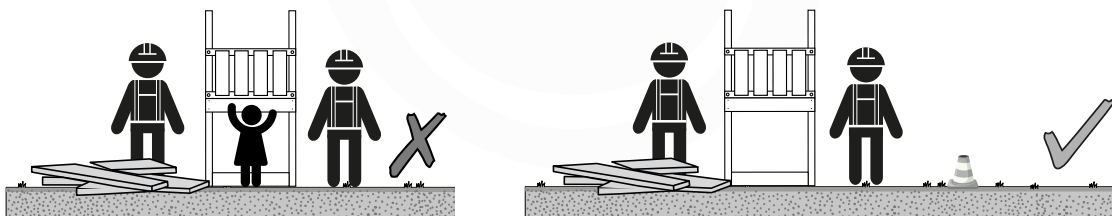
2.1 Safety



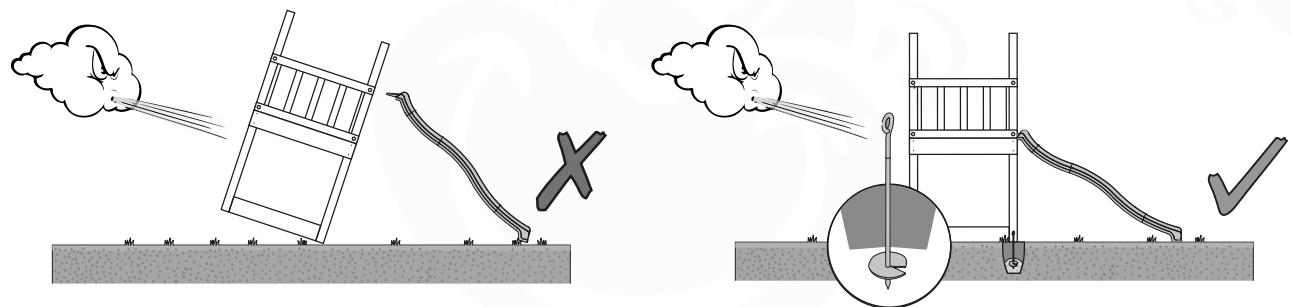
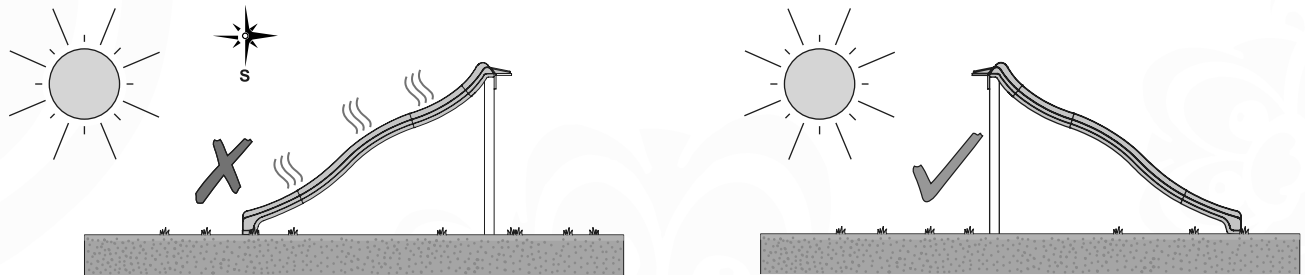
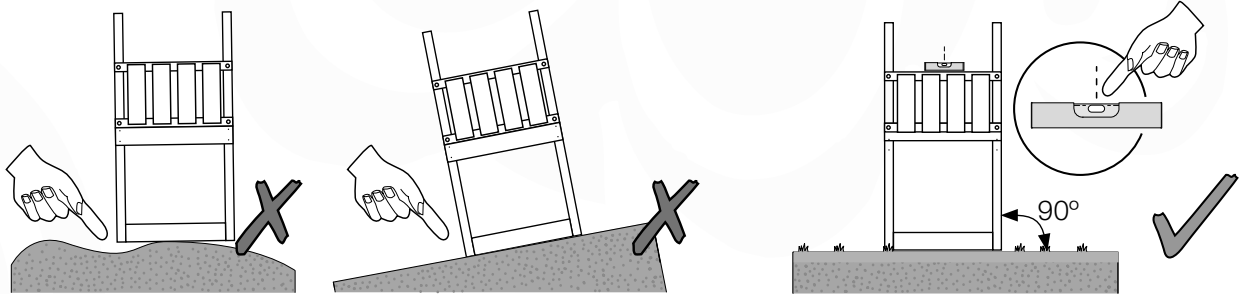
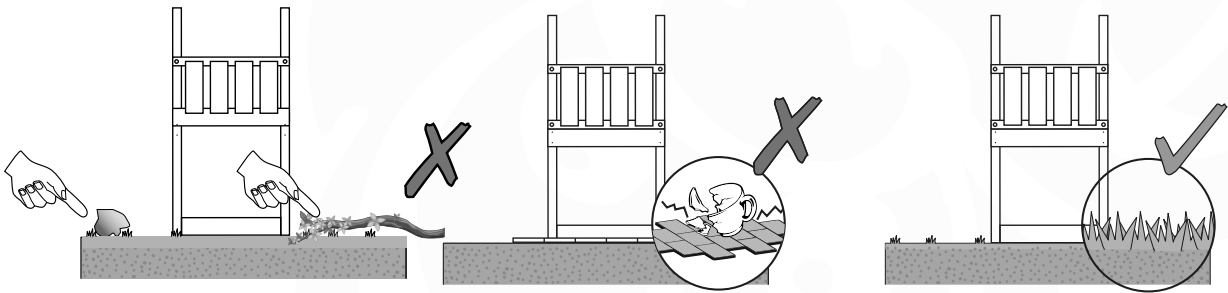
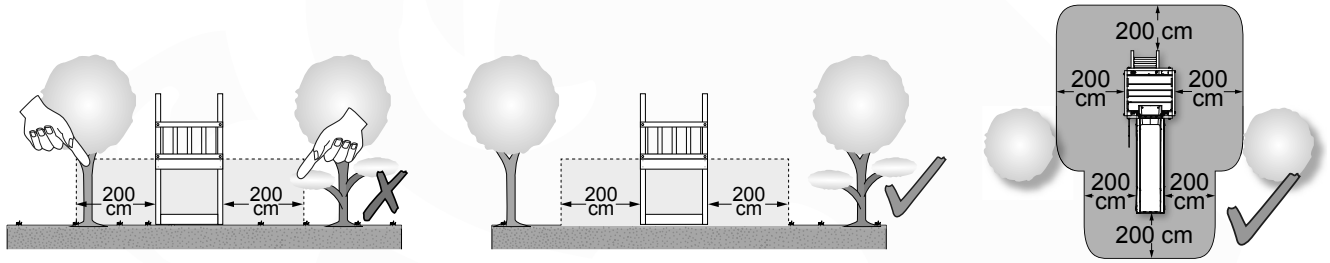
Download

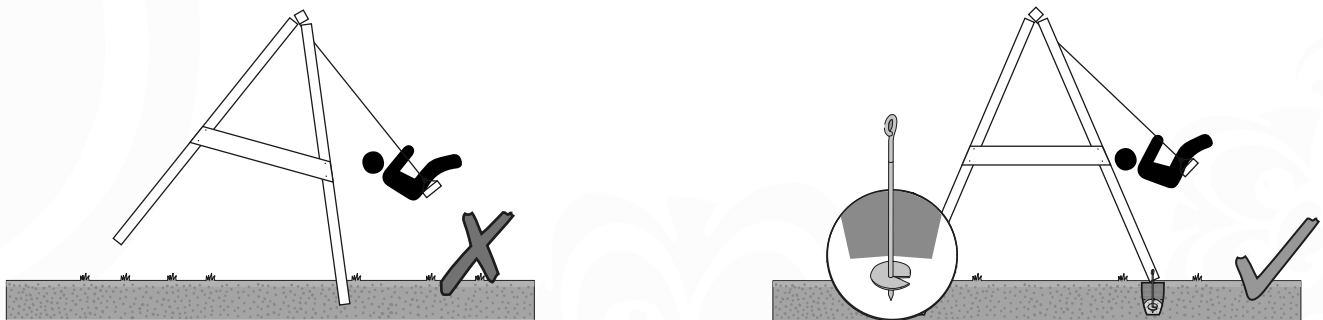
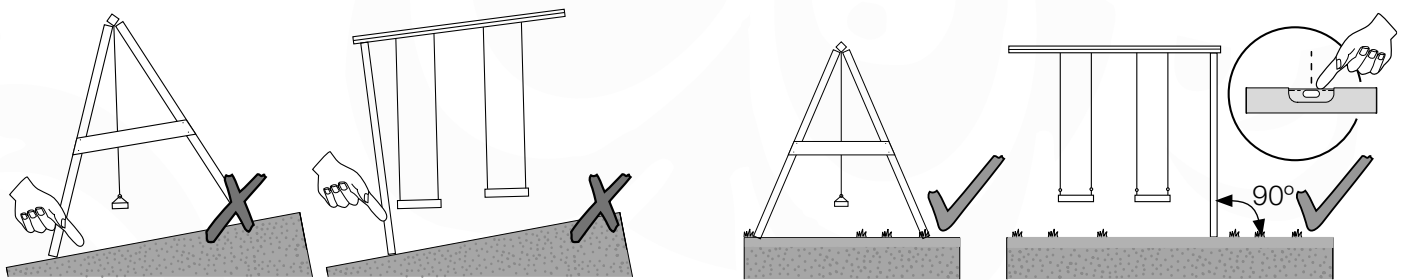
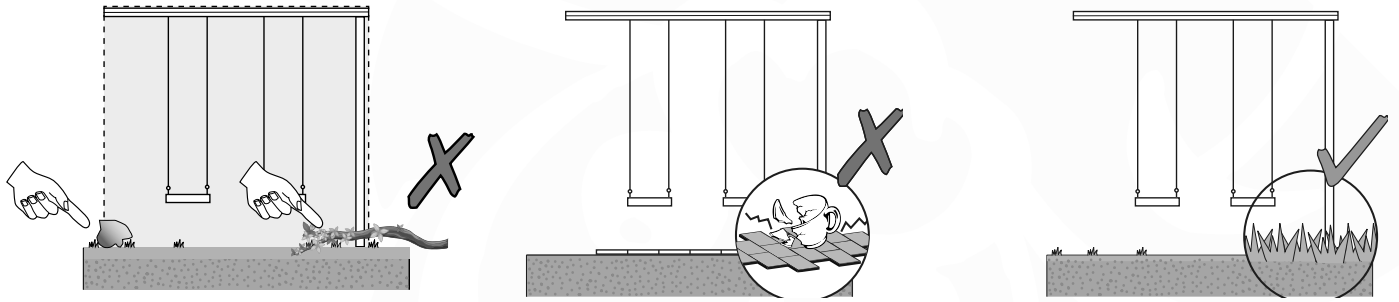
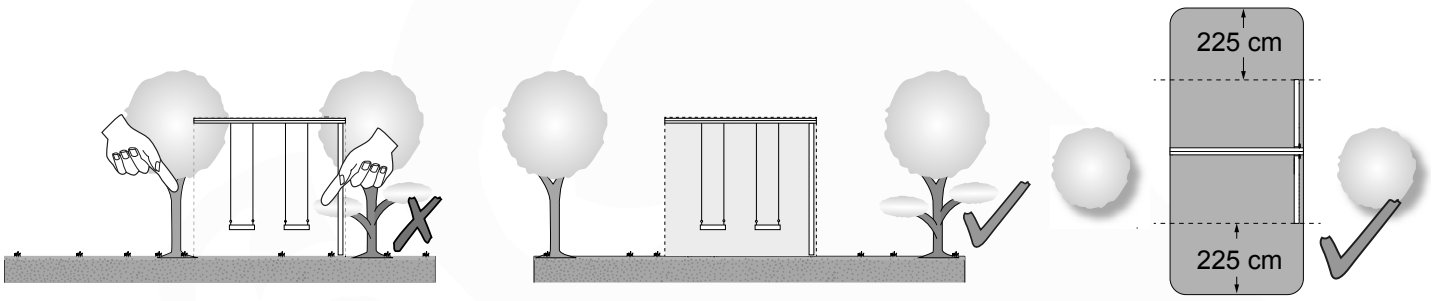


Part 1

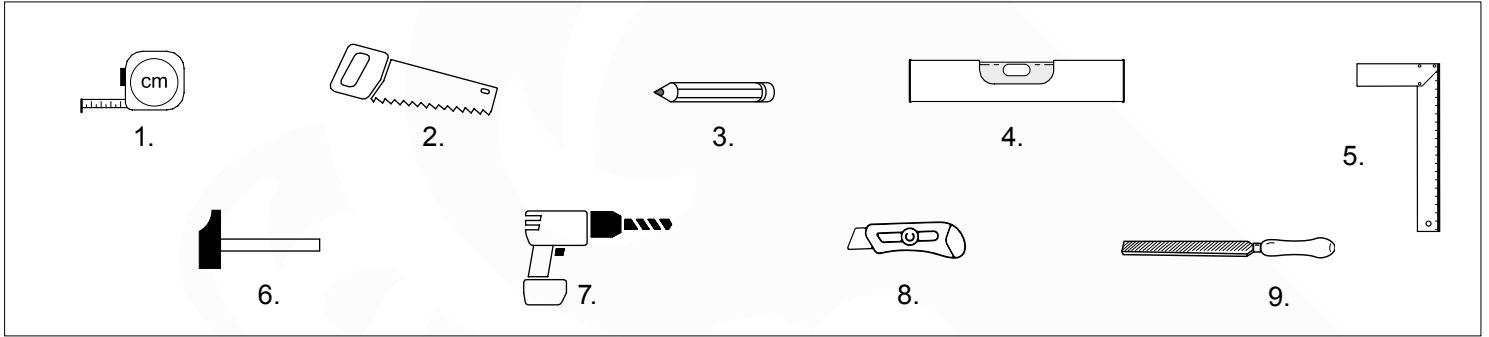


2.2 Planning

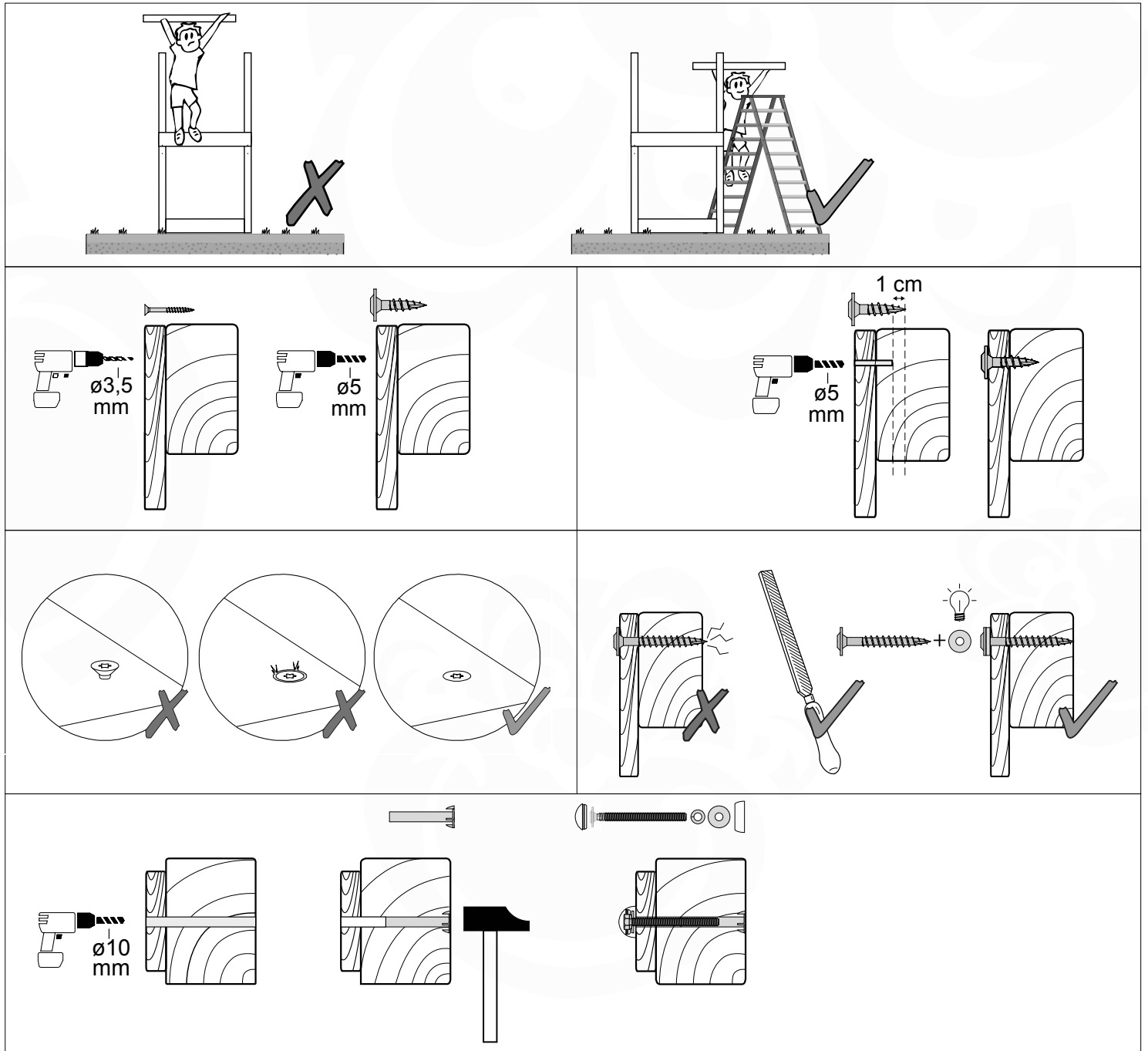




2.3 Tools



2.4 Assembly



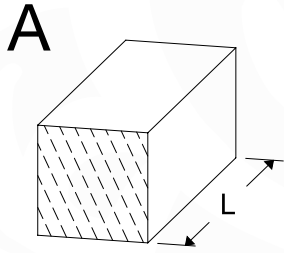
3 Overview

3.1 Order specification

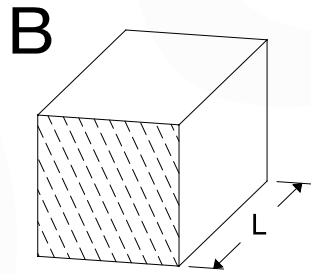


| # | Description | Supplier ID | Assembly ID |
|---|-------------------------|-------------|-------------|
| 1 | 2- Swing Module 200 3.0 | 757_110 | SW06a |

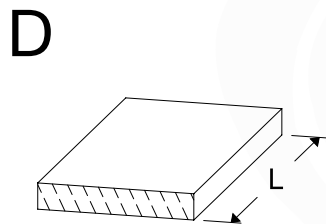
3.2 Timber parts



| ID | L | # |
|------|-----------------|---|
| A220 | 219 cm - 220 cm | 2 |



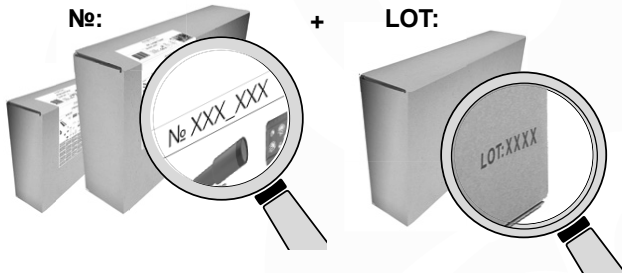
| | | |
|------|-----------------|---|
| B220 | 219 cm - 220 cm | 1 |
|------|-----------------|---|



| | | |
|------|-----------------|---|
| D141 | 140 cm - 141 cm | 2 |
|------|-----------------|---|

4 Product registration

4.1 Assembly kits



Example

№: X X X _ X X X X LOT: X X X X X

| | Nº: | LOT: |
|----|--------|--------|
| 1. | [grid] | [grid] |
| 2. | [grid] | [grid] |
| 3. | [grid] | [grid] |
| 4. | [grid] | [grid] |
| 5. | [grid] | [grid] |

| | Nº: | LOT: |
|-----|--------|--------|
| 6. | [grid] | [grid] |
| 7. | [grid] | [grid] |
| 8. | [grid] | [grid] |
| 9. | [grid] | [grid] |
| 10. | [grid] | [grid] |

4.2 Slide



| |
|--------|
| [grid] |
| [grid] |
| [grid] |

4.3 Assembly packs



Example

| | | | |
|---------------|-----------|---|---|
| Accessory Set | | | |
| | AC | | |
| | 1x | | |
| 194_119 | | | |
| LOT: | 2 | 5 | 1 |

| | | | | |
|--|--|--|--|--|
| <p>Swing Module Kit</p>  <p>SW</p> <p>457_103</p> <p>1x</p> <p>LOT: <input type="text"/> <input type="text"/> <input type="text"/> <input type="text"/></p> | | | | |
|--|--|--|--|--|

4.4 Your config ID: PIJvLN

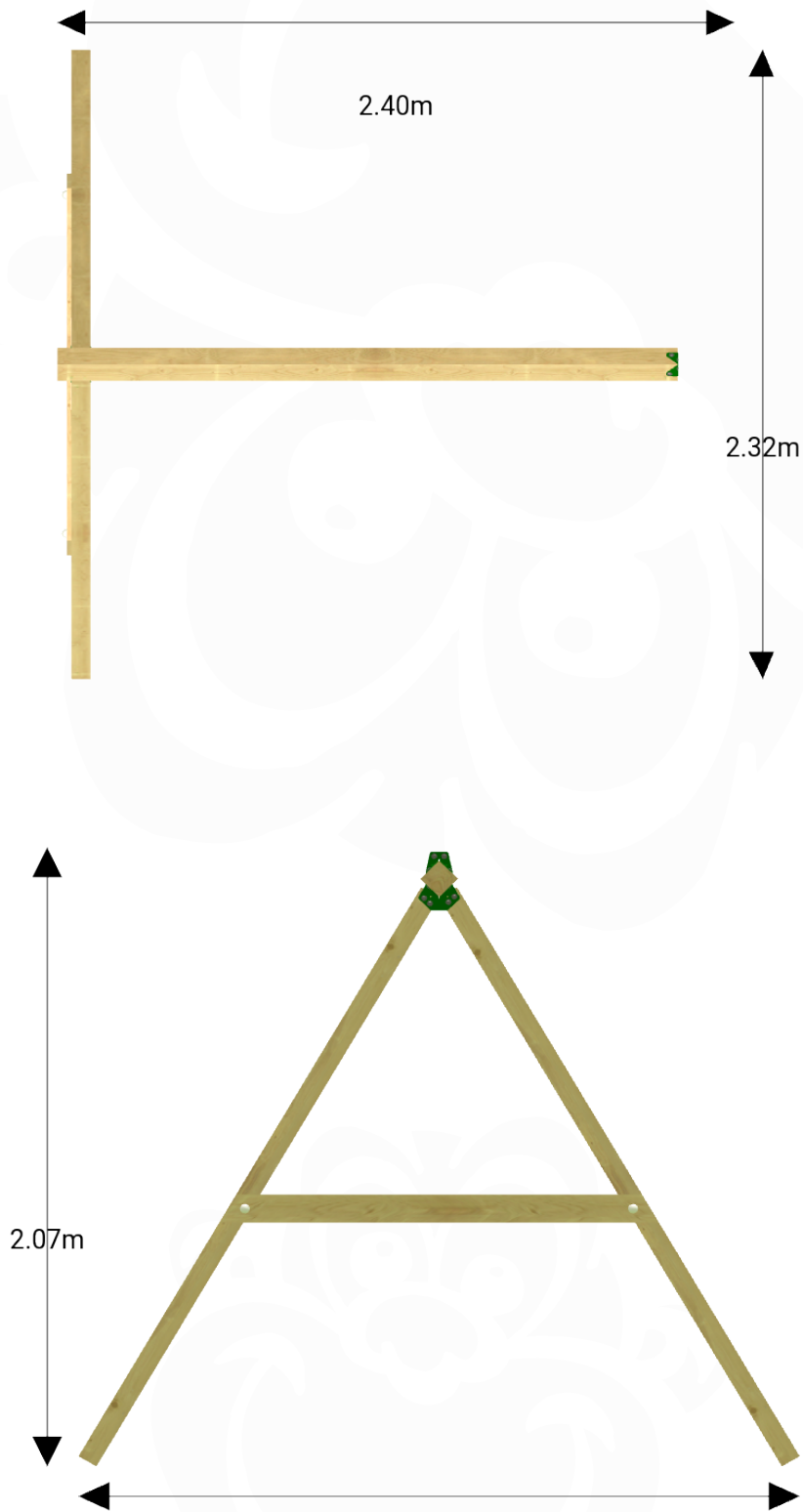


5 Hardware Identification

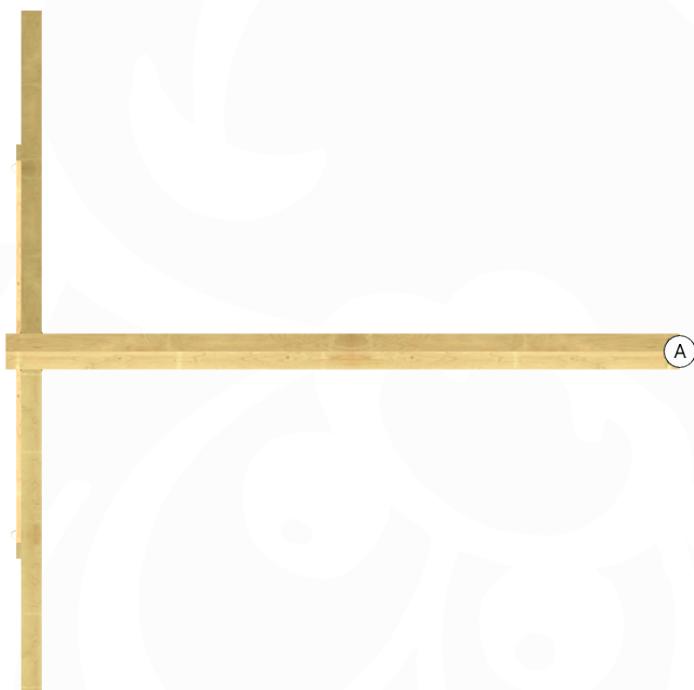
| Image | SKU | L | Image | SKU | L |
|-------|---|--|-------|--|----------------------------------|
| | 001_404 001_406 001_411 001_417 001_422 | 30 mm 45 mm 60 mm 80 mm 137 mm | | 002_308 002_219 002_220 002_223 | 20 mm 30 mm 45 mm 80 mm |
| | 001_102 | 30 mm | | 003_010 | |
| | 000_101 | 20 mm | | 003_034 | |
| | 002_036 | 16 mm | | 004_050 | 22mm |
| | 002_041 | 20 mm | | 022_845 022_846 022_847 022_848 | Yellow Blue Green Red |
| | 002_042 | 13 mm | | 023_031 | White |
| | 002_301 | 40 mm | | 120_005 | White |
| | | | | 022_844 | |
| | | | | 022_314 | |



output: 25/05/23

6 Dimensions



7 Assembly Planning

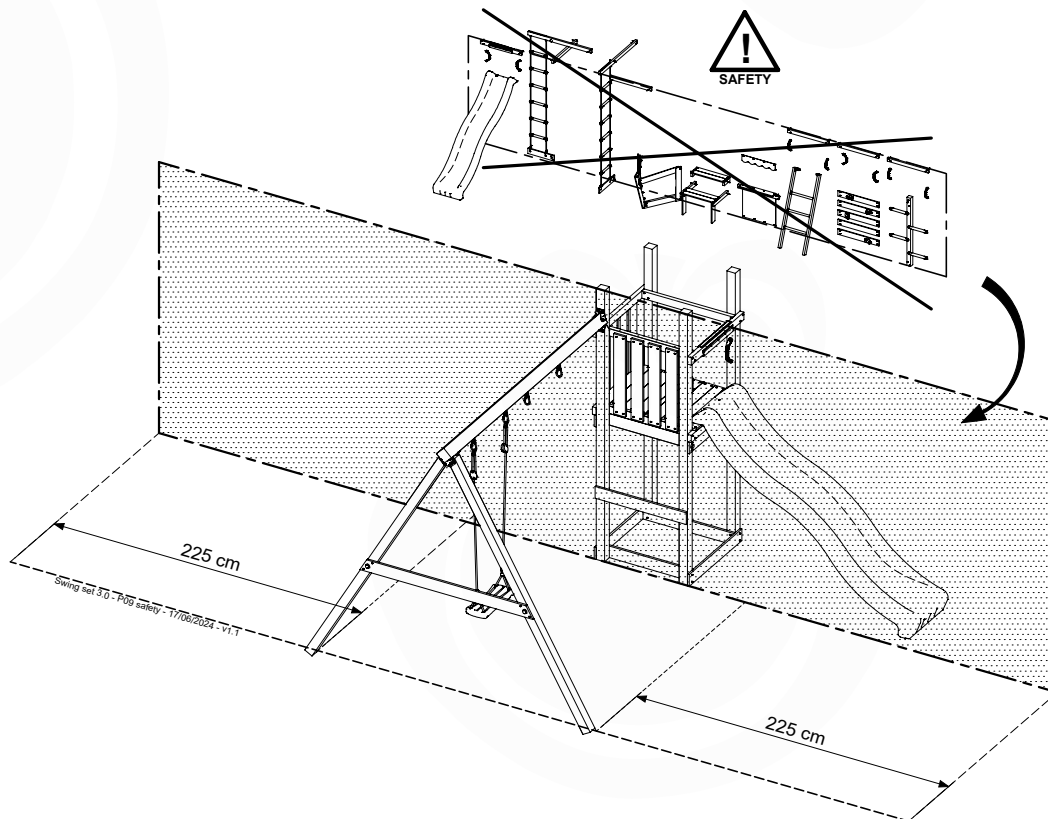
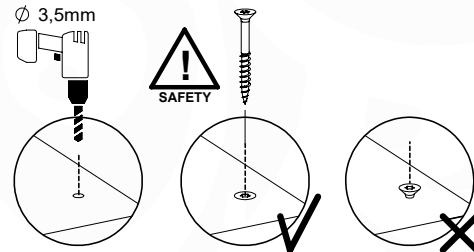
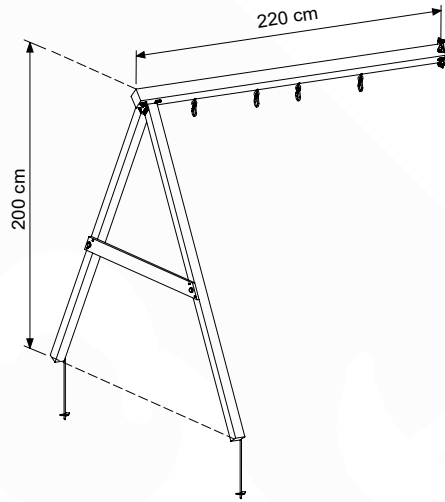


| | ID | | | A |
|---|-------|---|------|---|
| 1 | SW06a |  | p.13 | ✓ |
| 2 | GA |  | p.21 | ✓ |

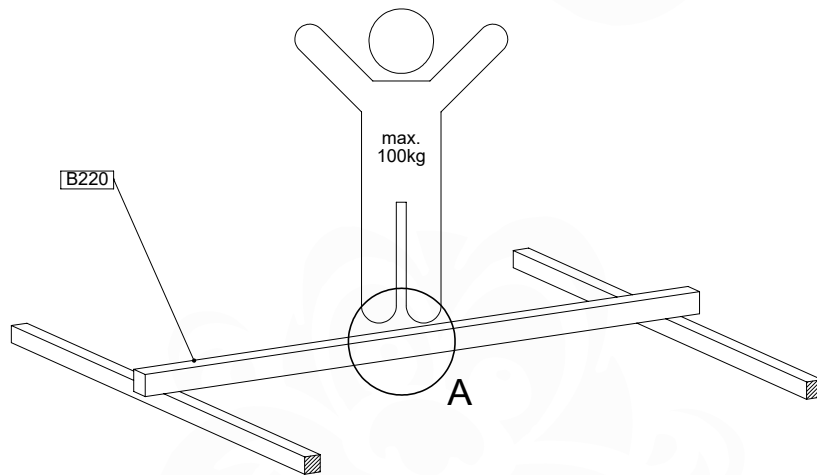
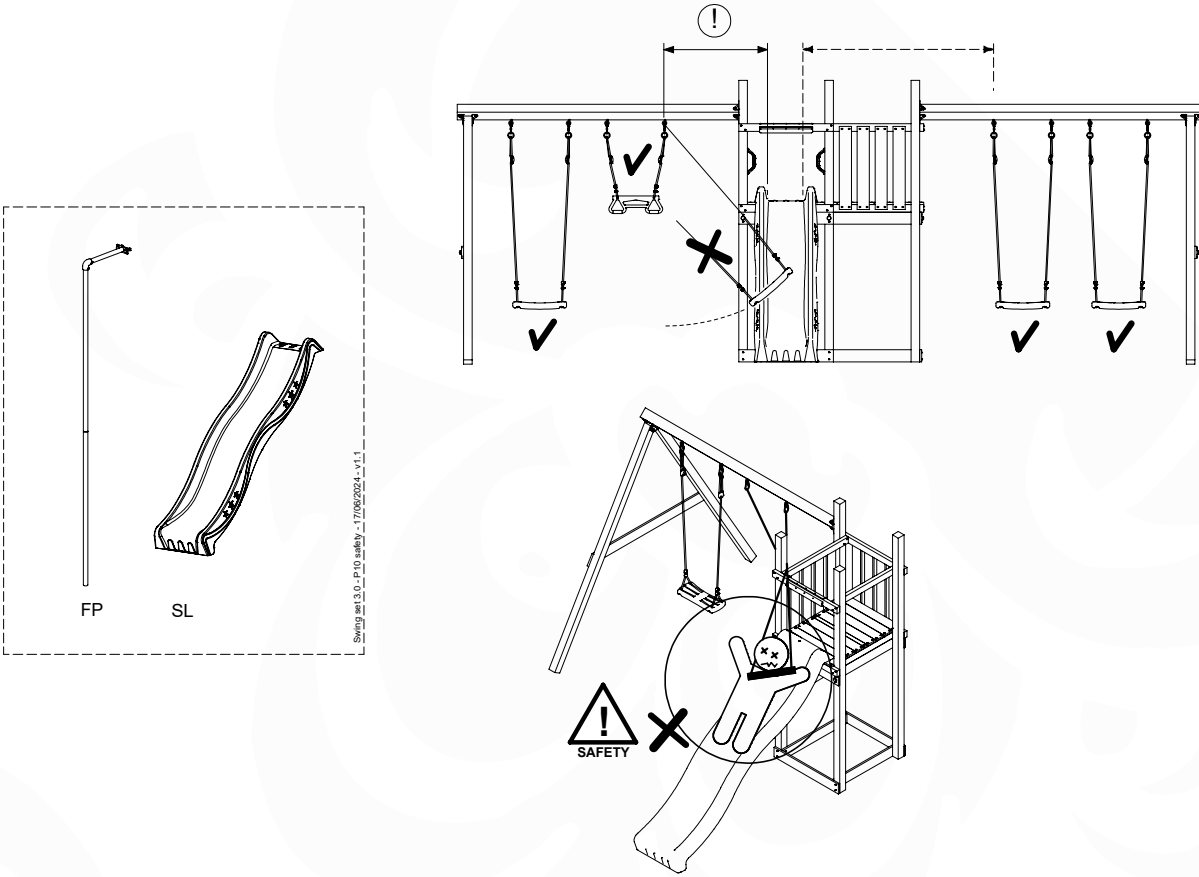
8 SW06a: 2- Swing Module 200 - 3.0

Assembly Kit: 457_103

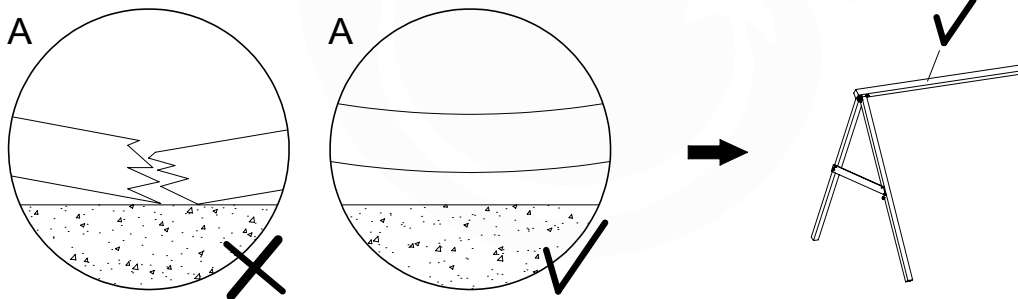
| | PartNo | PartName | QTY. |
|------------------|---------|----------------------------|------|
| Hardware + Parts | 001_404 | Stealth Screw 8x30 | 4 |
| | 001_406 | Stealth Screw 8x45 | 22 |
| | 001_411 | Stealth Screw 8x60 | 2 |
| | 001_417 | Stealth Screw 8x80 | 2 |
| | 002_220 | Gap Point Screw T25 - 5x45 | 8 |
| | 002_223 | Gap Point Screw T25 - 5x80 | 2 |
| | 022_31x | bpc-base version 3 | 2 |
| | 022_84x | bpc cover | 2 |
| | 023_042 | Nylon washer 9x19x1.5 | 20 |
| | 005_096 | A-Frame V-Connector | 2 |
| | 005_097 | Swing V-Connector | 2 |
| | 007_001 | Ground-anchor | 2 |
| | 101_003 | Swing hook with Carabiner | 4 |
| Timber | A220 | Post 70x70 L2200 | 2 |
| | B220 | Post 90x90 L2200 | 1 |
| | D141 | Board 1410 mm | 2 |



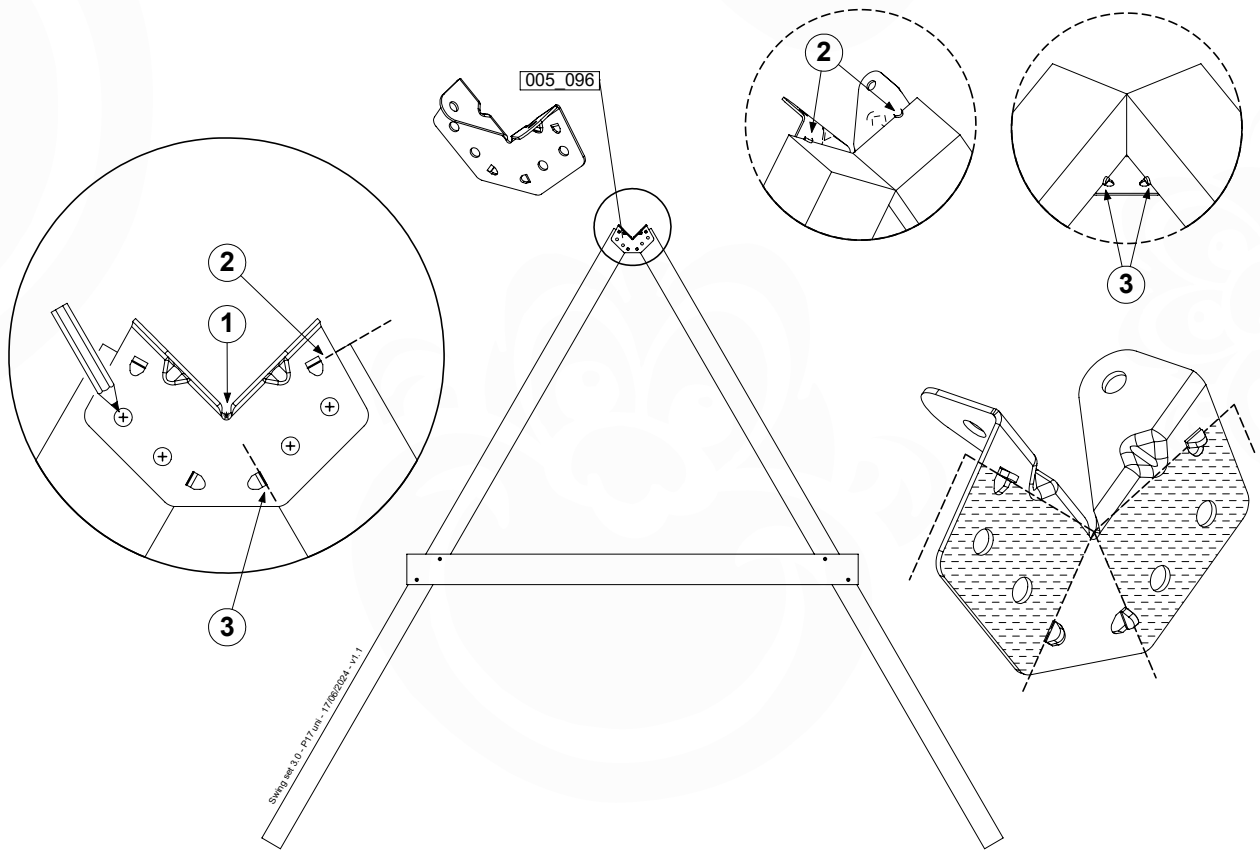
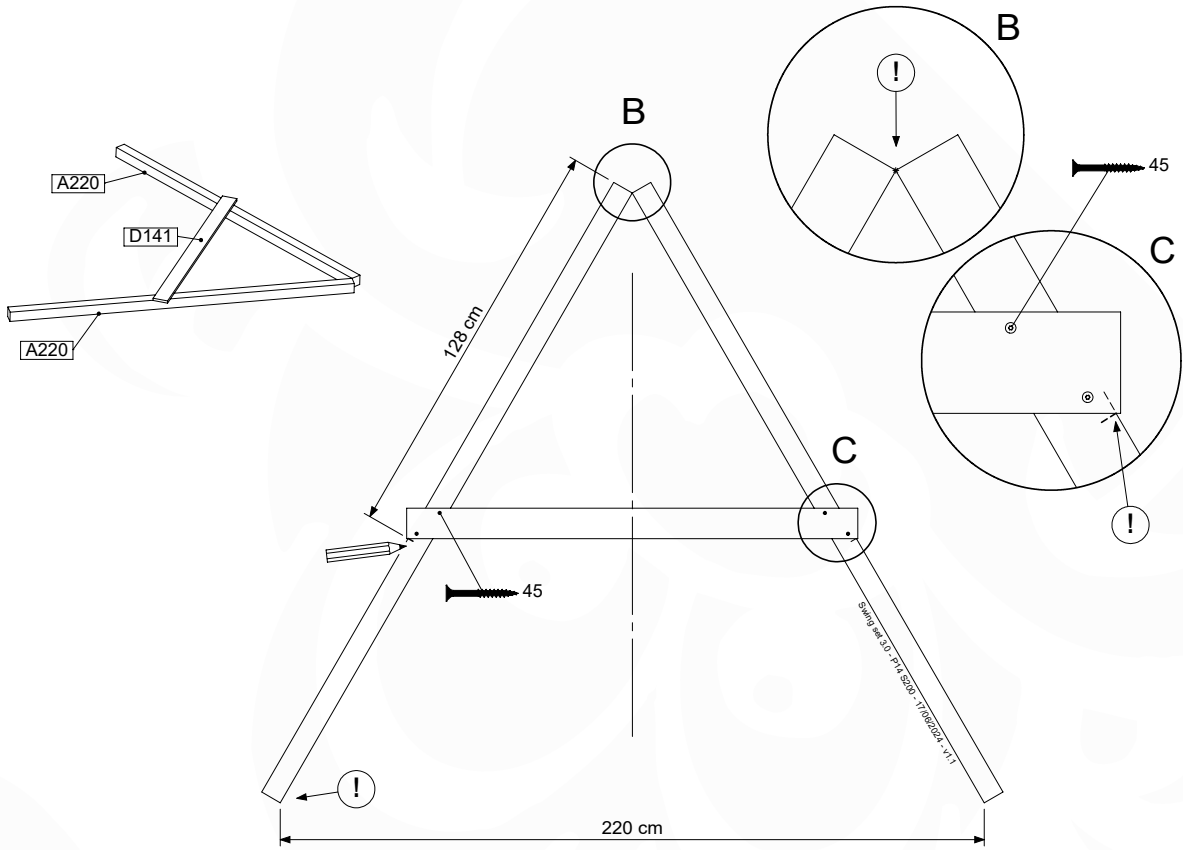
8.1

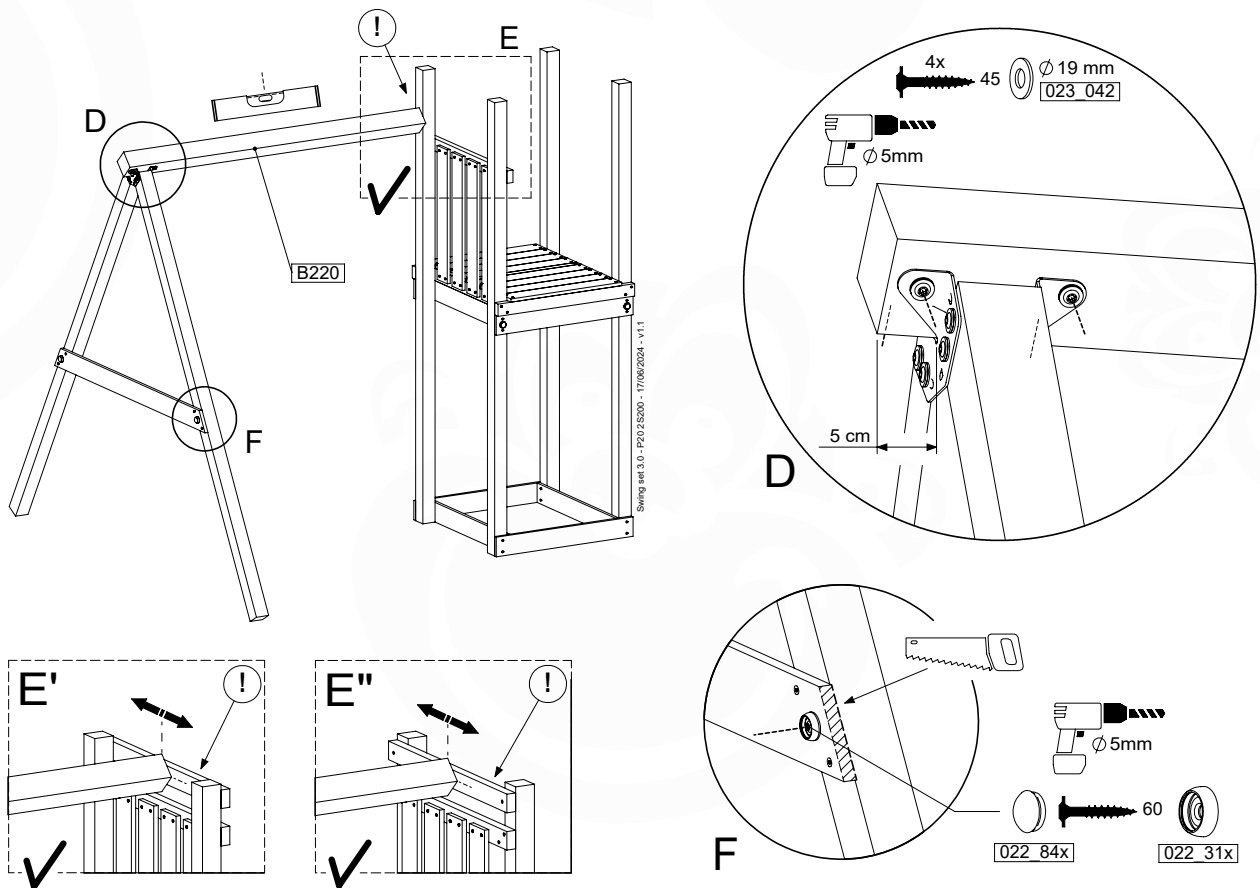
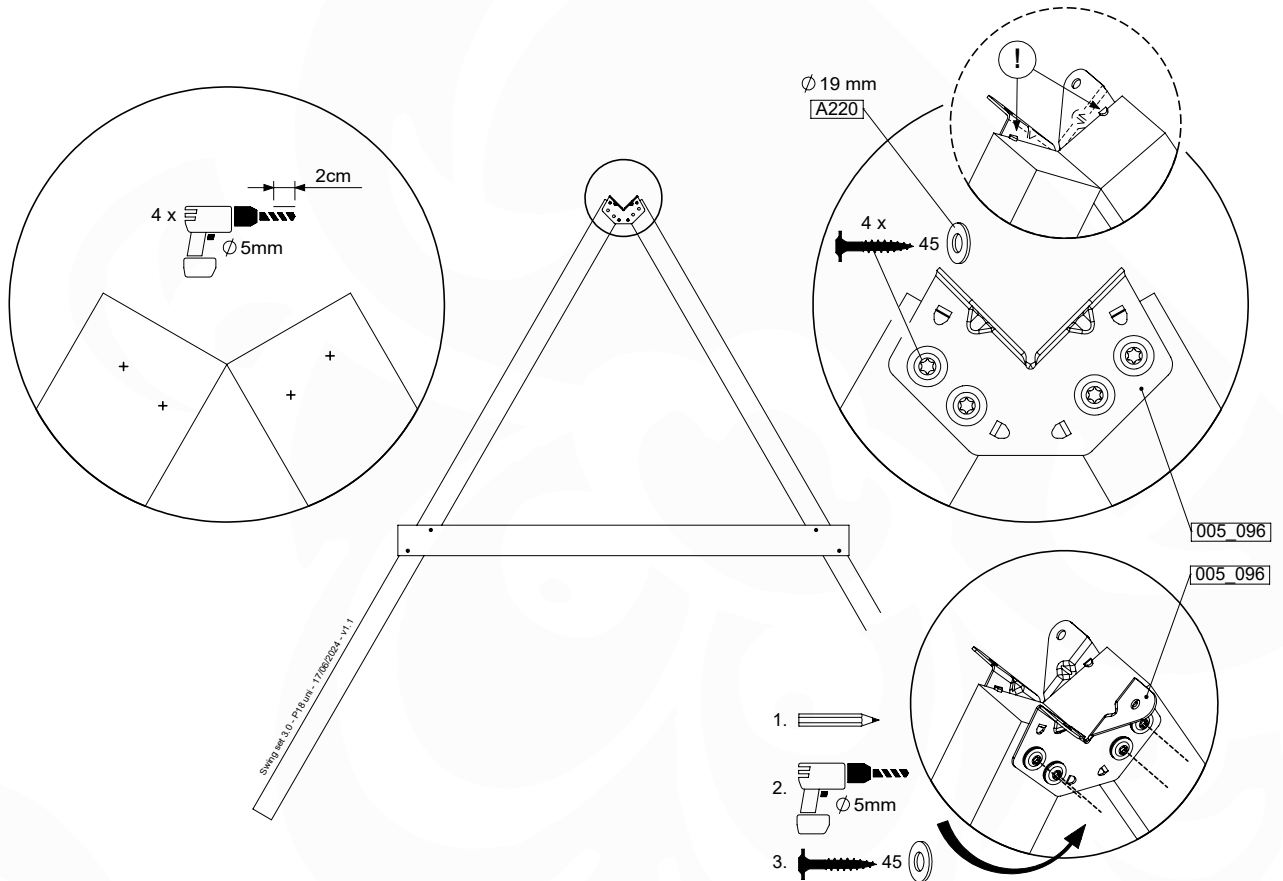


Swing set 3.0 - P12 25200 - 17/06/2024 - v1.1

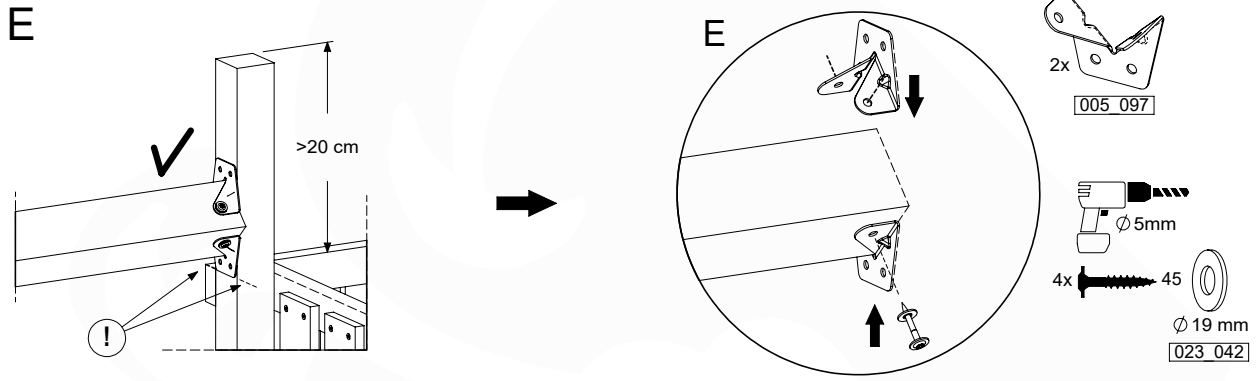


8.2

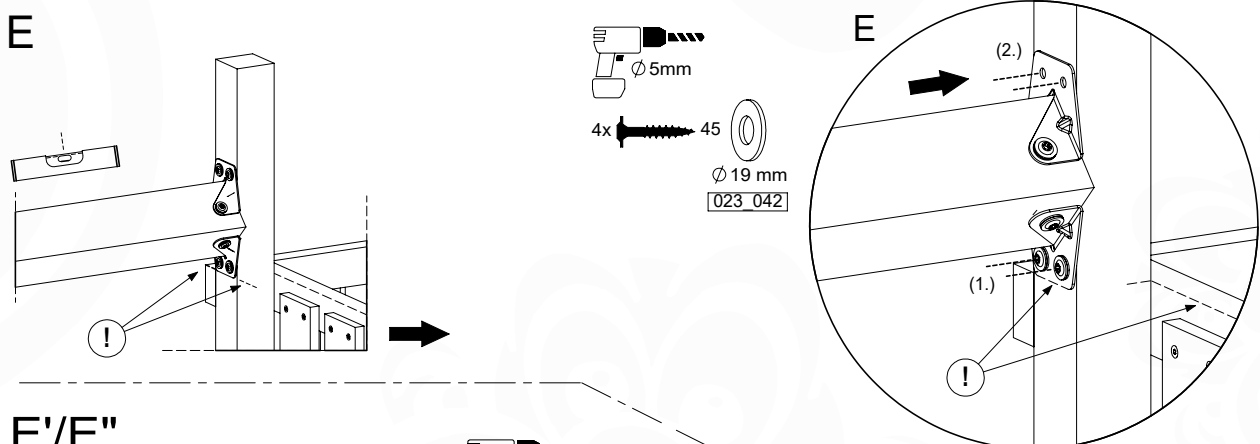
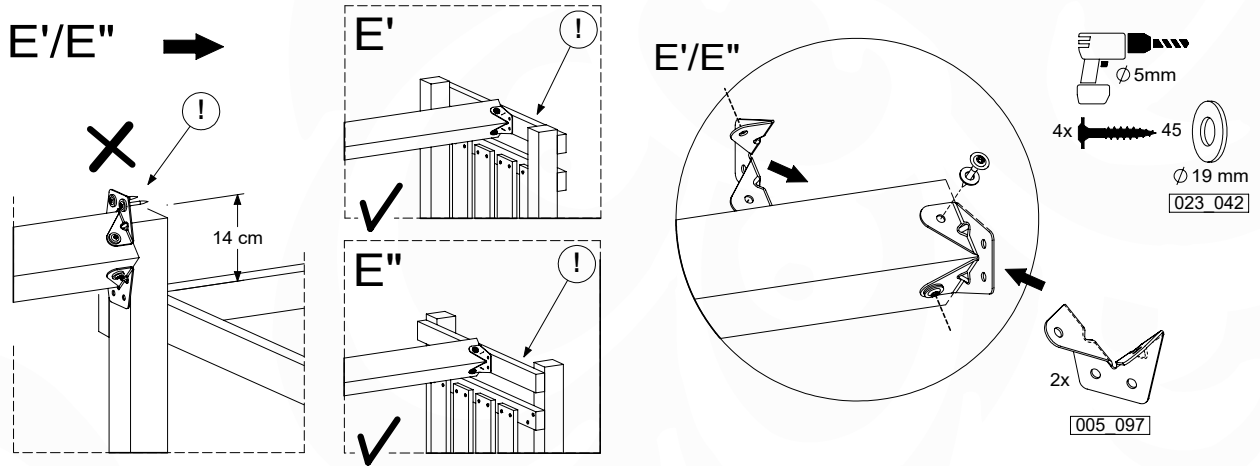




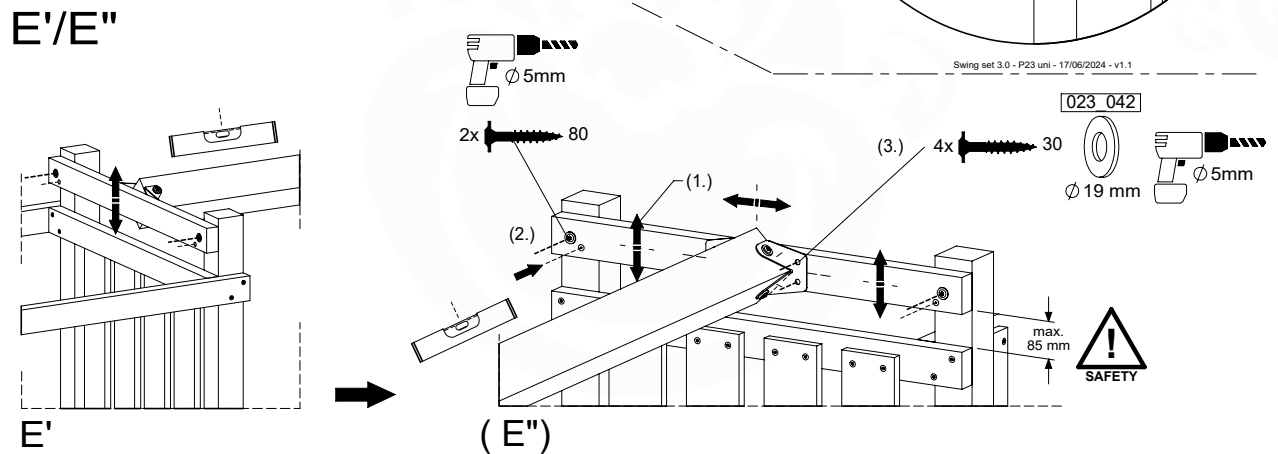
8.4



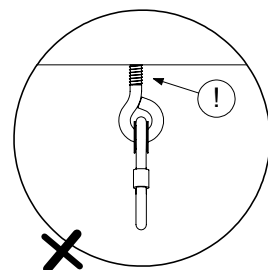
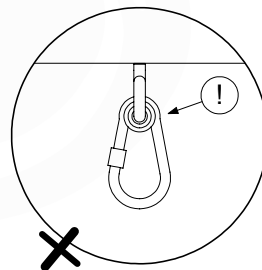
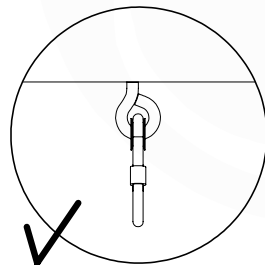
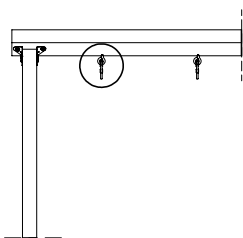
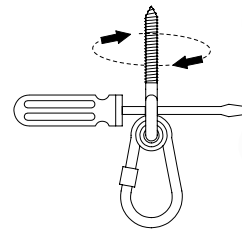
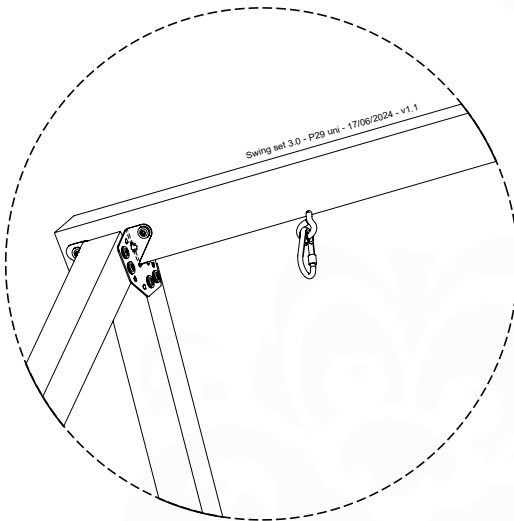
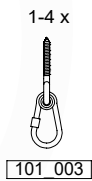
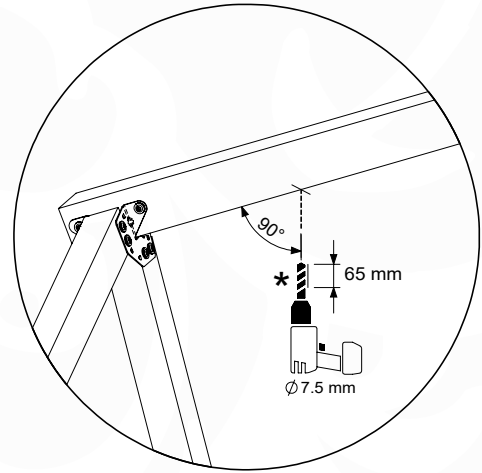
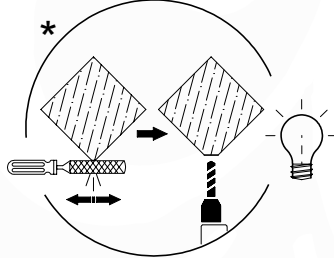
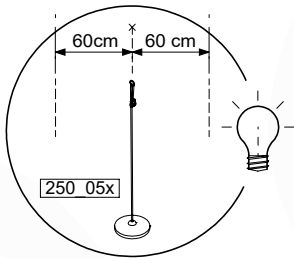
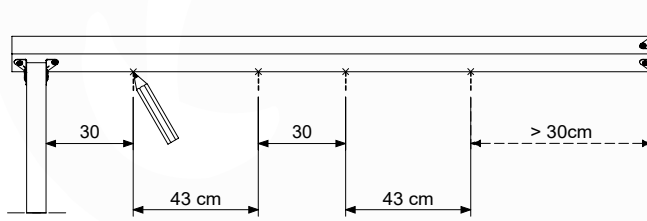
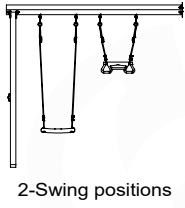
Swing set 3.0 - P22 uni - 17/06/2024 - v1.1



Swing set 3.0 - P23 uni - 17/06/2024 - v1.1

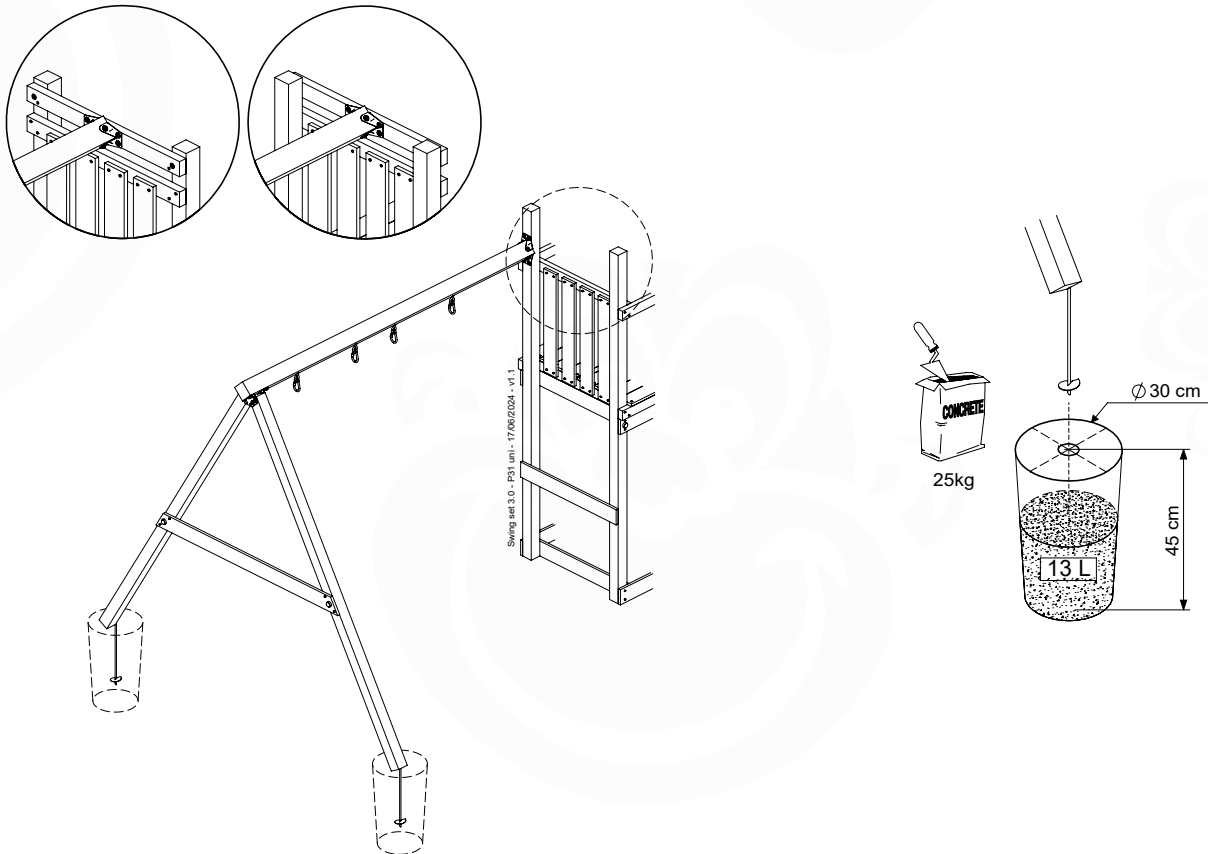
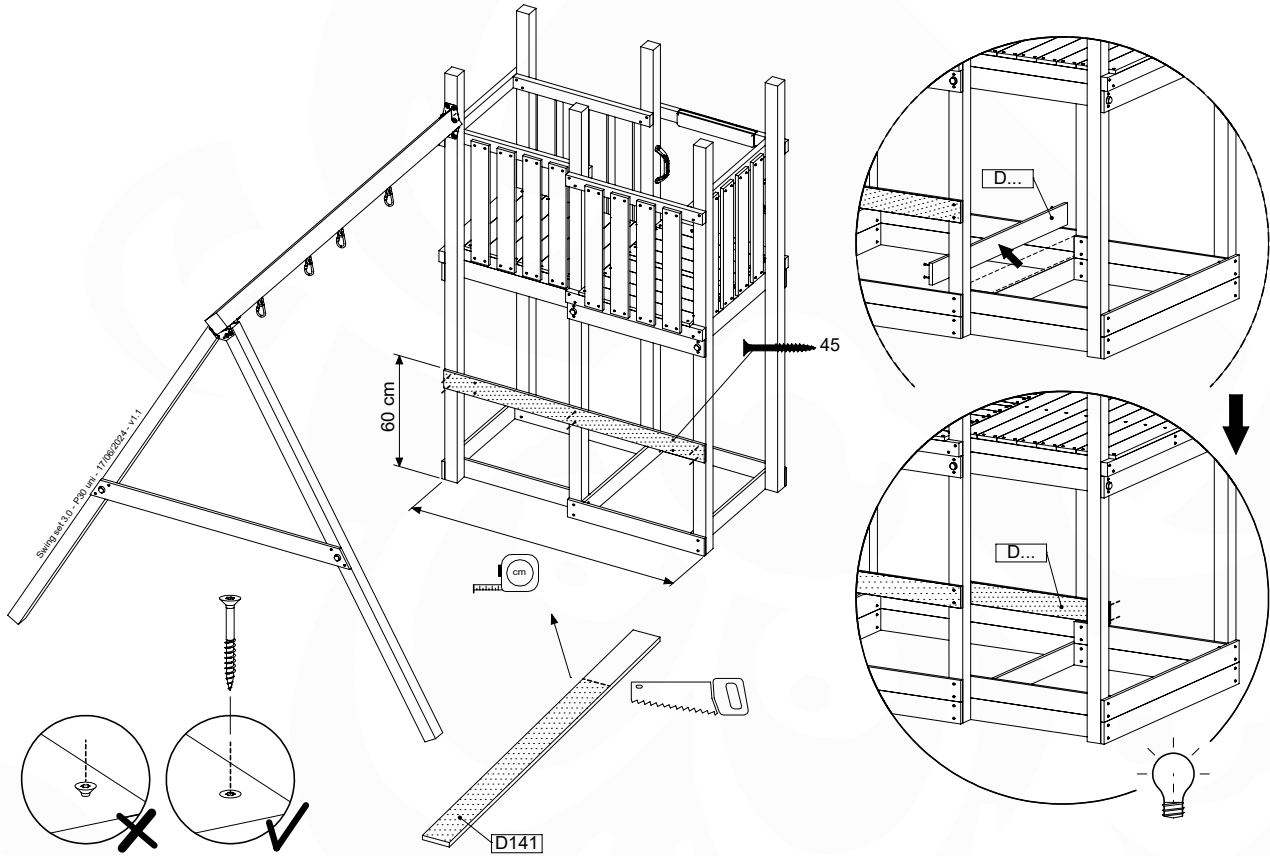


8.5

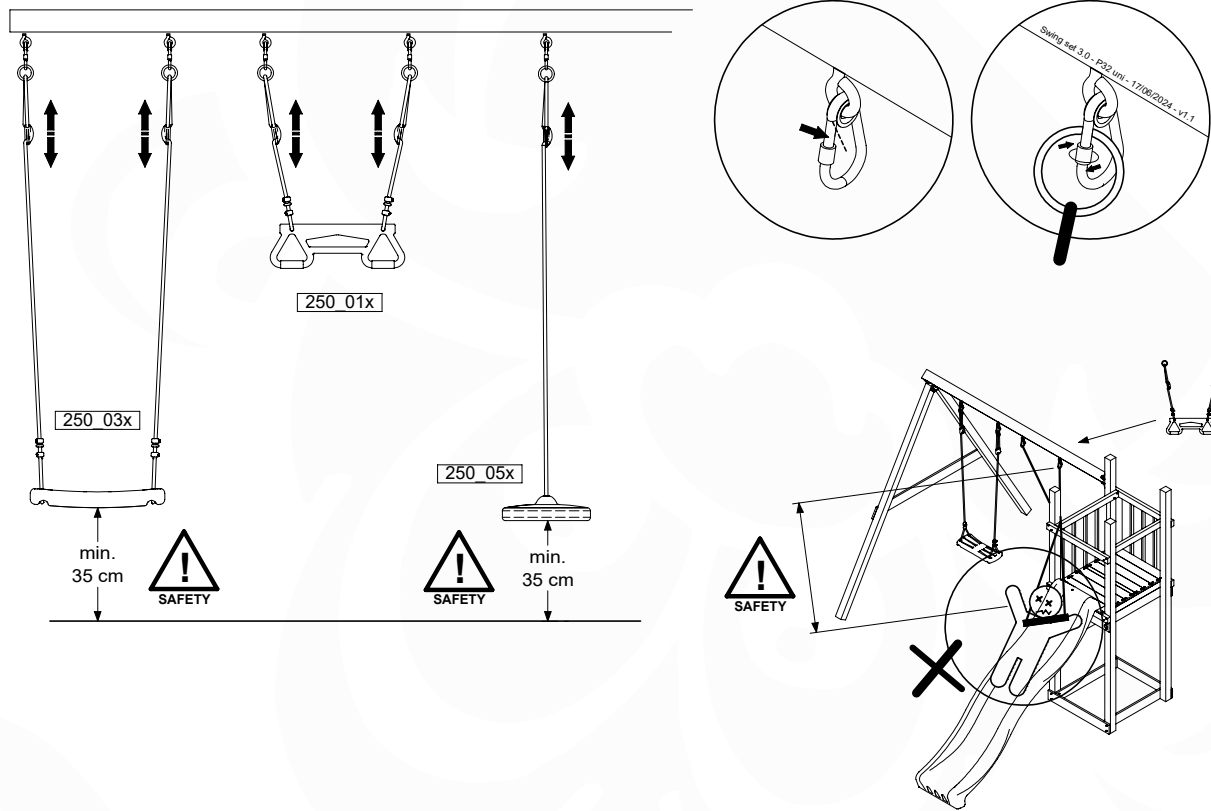


Swing set 3.0 - P27 25200 - 17/06/2024 - v1.1

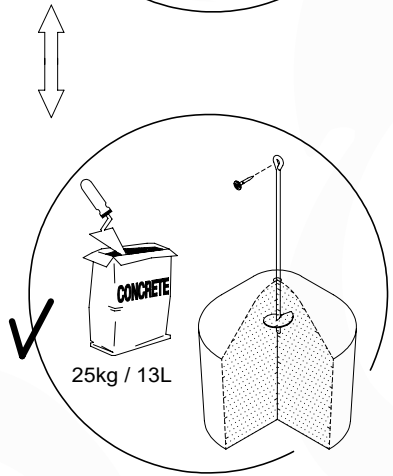
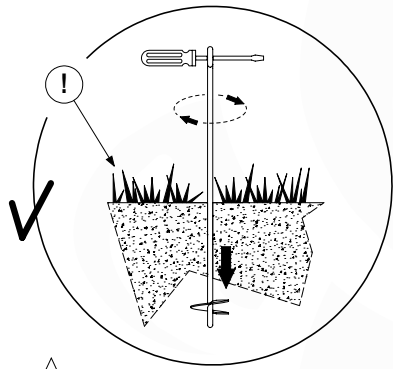
8.6



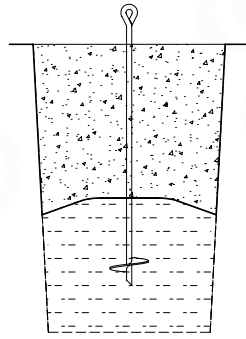
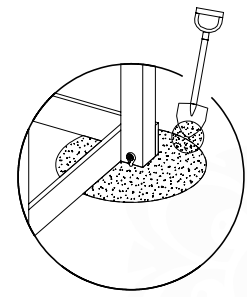
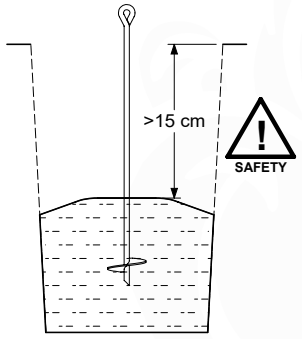
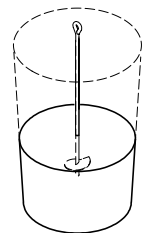
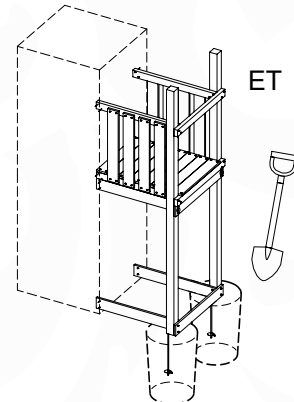
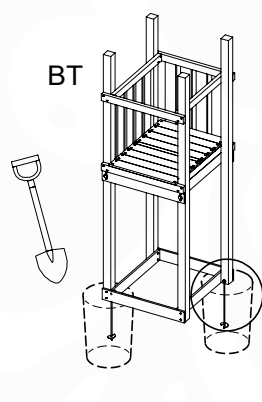
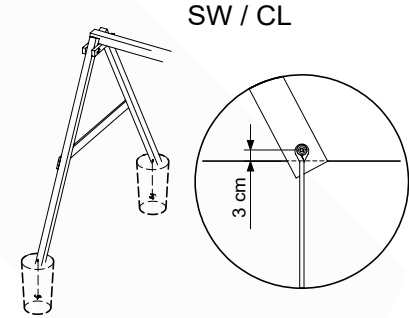
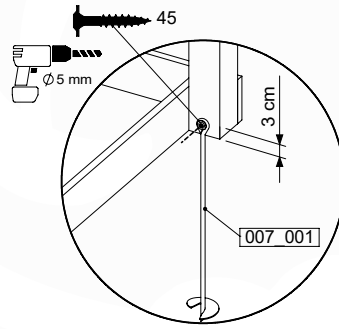
8.7



9 GA: Ground Anchors



Ground Anchors Uni. - P03 - 14/06/2024 - v1.5



1.

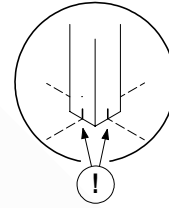
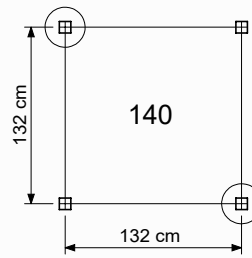
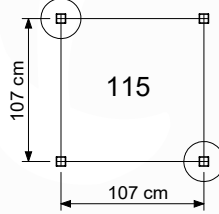
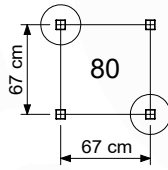
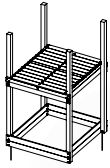
2.

3.

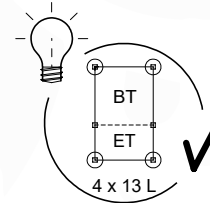
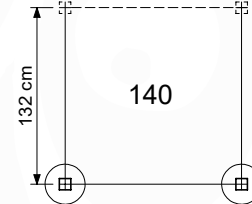
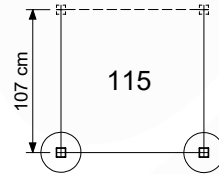
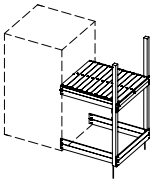
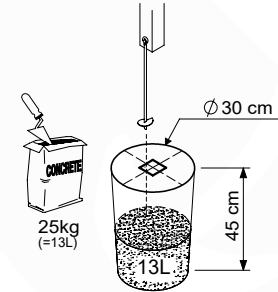
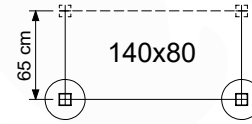
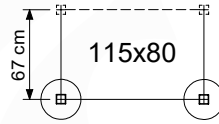
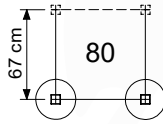
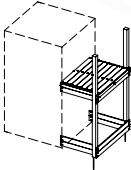
Ground Anchors Uni. - P04 - 14/06/2024 - v1.5

9.1

BASE TOWERS

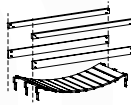


EXTENSION TOWERS

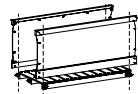


Ground Anchors Uni. - P01 - 14.06/2024 - v1.5

BRIDGES



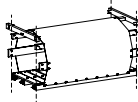
CLATTER



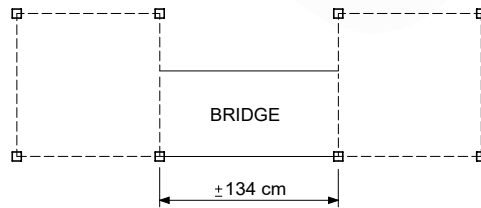
BOARDWALK



NET

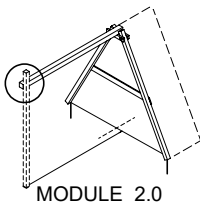


TUNNEL

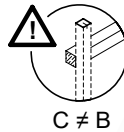


Ground Anchors Uni. - P02 - 14.06/2024 - v1.5

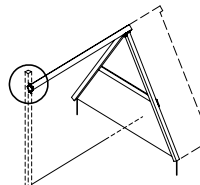
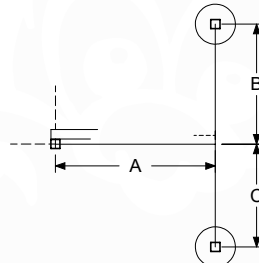
SWING / CLIMB



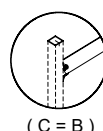
MODULE 2.0



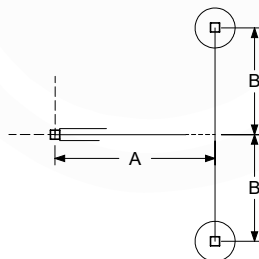
C ≠ B



MODULE 3.0



(C = B)



| MODULE 2.0 | Module type | A | B | C |
|------------|---------------------|-----|-----|-----|
| | 1-Swing 200 | 150 | 115 | 100 |
| | 1-Swing 220 (Extra) | 150 | 120 | 105 |
| | 1-Climb 200 | 142 | | |
| | 2-Climb 200 | 210 | 115 | 100 |
| | 2-Swing 200 | 210 | | |
| | 1-Climb 220 (Extra) | 162 | | |
| | 2-Climb 220 (Extra) | 230 | 120 | 105 |
| | 2-Swing 220 (Extra) | 230 | | |

cm

| MODULE 3.0 | Module type | A | B |
|---------------------------|---------------------------|-----|-----|
| | 1-Swing 200 - 3.0 | 155 | 110 |
| | 1-Swing 220 (Extra) - 3.0 | 155 | 115 |
| | 1-Climb 200 - 3.0 | 148 | |
| | 2-Climb 200 - 3.0 | 222 | 110 |
| | 2-Swing 200 - 3.0 | 215 | |
| | 1-Climb 220 (Extra) - 3.0 | 170 | |
| | 2-Climb 220 (Extra) - 3.0 | 242 | 115 |
| 2-Swing 220 (Extra) - 3.0 | 235 | | |

cm

10 Declaration of conformity

Activity toys for domestic use Aktivitätsspielzeug für den häuslichen Gebrauch Jouets d'activité à usage familial

1. Wooden climbing frames

20240416_v3

1.1. Assemblies

| | |
|------------|---|
| Playtowers | 801_005, 801_009, 801_010, 801_013, 801_025, 801_040, 801_060, 801_070, 801_090, 801_095, 801_100, 801_103, 801_105, 801_110, 801_120, 801_200, 802_202, 802_204, 802_206, 802_208, 803_202, 803_204, 803_206, 803_208, 803_210, 809_802, 809_804 |
| Swings | 801_300, 801_601, 801_602 |
| Modules | 850_176, 850_177, 850_231, 850_232, 857_101, 857_102, 857_105, 857_106, 857_151, 857_152, 857_157, 857_158, 850_240 |

1.2. Sub assemblies

| | |
|--------------------------|--|
| Base towers (BT) | BT01a, BT02a, BT03a, BT11a, BT14a, BT15a, BT20a |
| Extension towers (ET) | ET01a, ET02a, ET05a, ET06a, ET07a, ET08a, ET09a, ET10a, ET11a, ET12a, ET13a, ET14a, ET15a, ET16a, ET17a, ET18a, ET19a, ET20a, ET22a, ET23a, ET27a, ET28a, ET35a, ET29a, ET39a, ET40a |
| Bridges (CB, NB, BB, TB) | CB01a, NB01a, BB01a, BB02a, TB01a, TB02a, TB03a, TB04a |
| Roofs (RF) | RF01a, RF21a, RF02a, RF03a, RF04a, RF05a, RF06a, RF20a, RF02b, RF03b, RF07a, RF08a, RF22a, RF09a, RF23a, RF11a, RF12a, RF07b, RF12b, RF08b, RF22b, RF09b, RF23b, RF11b, RF14a, RF24a, RF15a, RF25a, RF18a, RF18b, RF14b, RF24b, RF15b, RF25b |
| Balustrade (BL, BF) | BL01a, BL02a, BL21a, BF25a, BF26a, BF27a, BF28a, BF01a, BF02a, BF03a, BF04a, BF05a, BF06a, BF07a, BF08a, BF01b, BF02b, BF03b, BF04b, BF05b, BF06b, BF07b, BF08b, BF21a, BF22a, BF23a, BF24a, BF21b, BF22b, BF23b, BF24b |
| Playhouse (PH) | PH03a, PH04a, PH05a, PH06a, PH10a, PH11a, PH40a, PH41a, PH12a, PH13a, PH14a, PH15a, PH42a, PH43a, PH44a, PH45a, PH16a, PH17a, PH18a, PH19a, PH30a, PH31a, PH16b, PH17b, PH18b, PH19b, PH46a, PH47a, PH48a, PH49a, PH16c, PH17c, PH18c, PH19c, PH46b, PH47b, PH48b, PH49b, PH20a, PH21a, PH22a, PH23a, PH24a, PH25a, PH26a, PH27a, PH32a, PH33a, PH52a, PH53a, PH54a, PH55a, PH56a, PH57a, PH50a, PH51a, PH26b, PH27b, PH26c, PH27c, PH56b, PH57b |
| Ladder (LA) | LA05a, LA06a, LA01a, LA02a, LA03a, LA01b, LA02b, LA03b, LA11a, LA12a, LA13a, LA14a, LA15a, LA16a, LA17a, LA18a, LA31a, LA32a, LA33a, LA34a, LA35a, LA36a, LA37a, LA38a, LA21a, LA22a, LA23a, LA24a, LA25a, LA26a, LA43a, LA44a, LA45a, LA46a |
| Two Step Ladder (TS) | TS01a, TS01b, TS02a, TS02b, TS03b, TS22a, TS05a, TS06a, TS07a, TS08a, TS09a, TS10a, TS11a, TS12a, TS15a, TS16a, TS17a, TS18a, TS19a, TS20a, TS21a, TS22a |
| Rope Ladder (RL) | RL01a, RL02a, RL05a, RL06a, RL07a, RL08a, RL09a, RL10a, RL11a, RL12a, RL15a, RL16a, RL19a, RL20a |
| Rock wall (RW) | RW01a, RW02a, RW01b, RW02b, RW03b, RW31a, RW32a, RW33a, RW05a, RW06a, RW07a, RW08a, RW09a, RW10a, RW11a, RW12a, RW40a, RW41a, RW15a, RW16a, RW17a, RW18a, RW19a, RW20a, RW46a, RW47a |
| Ramp (RA) | RA03a, RA04a, RA05a, RA06a, RA07a, RA08a, RA11a, RA12a, RA21a |
| Net (NA, NS) | NA01a, NA02a, NS01a, NS02a, NS03a, NS21a, NA04a, NA05a, NS04a, NS05a, NS06a, NS07a, NA08a, NA09a, NS08a, NS09a |
| Boat (BO) | BO01a |
| Market (MT) | MT01a, MT02a, MT05a, MT06a, MT11a, MT12a |
| Picnic (PC) | PC01a, PC01b, PC05a, PC06a, PC09a, PC10a |
| Gymnastics bar (GY) | GY01a |
| Fireman's pole (FP) | FP01a, FP02a, FP04a, FP05a, FP06a, FP07a, FP23a, FP24a, FP25a, FP26a, FP27a, FP28a |
| Slides (SL) | SL01a, SL02a, SL03a, SL06a, SL07a, SL08a, SL09a, SL10a, SL11a, SL12a, SL13a, SL26a, SL27a, SL28a, SL29a |
| Swing (SM) | SW17a, SW21a, SW18a, SW22a, SW01a, SW05a, SW02a, SW06a, SW09a, SW13a, SW10a, SW14a |
| Climb (CL) | CL17a, CL21a, CL18a, CL22a, CL01a, CL05a, CL02a, CL06a, CL09a, CL13a, CL10a, CL14a |
| Universal Beam (UB) | UB01a, UB04a, UB02a, UB05a, UB03a, UB06a |
| Accessories (AC) | AC30a, AC31a, AC32a, AC33a, AC01a, AC05a, AC07a, AC03a, AC04a, AC06a, AC23a, AC22a, AC24a, AC21a, AC25a, AC02a, AC09a, AC08a, AC10a |

2. Construction packages

2.1 Assembly Kits

| | |
|------------|---|
| Playtowers | 401_015, 401_080, 401_125, 402_201, 402_202, 402_204, 402_206, 402_208, 403_202, 403_204, 403_206, 403_208, 403_210, 409_802, 409_804 |
| Swings | 401_300, 401_600 |
| Modules | 457_005, 457_102, 457_103, 457_106, 457_107, 457_205 |

2.2 Assembly Packs

| | |
|----------------|--|
| Sub assemblies | 194_002, 194_003, 194_004, 194_006, 194_007, 194_008, 194_009, 194_010, 194_100, 194_101, 194_102, 194_103, 194_104, 194_105, 194_107, 194_108, 194_109, 194_110, 194_111, 194_112, 194_113, 194_114, 194_115, 194_116, 194_117, 194_118, 194_119, 194_300, 194_308, 194_312, 194_500, 194_501, 194_508, 194_510, 194_802, 194_804, 194_809, 194_810, 194_811, 194_812 |
|----------------|--|

3. Accessories and components

| | |
|----------------|--|
| Slides XL | 324_100, 324_200, 324_300, 324_400, 324_500, 324_600 |
| Slides XXL | 334_100, 334_200, 334_300, 334_400, 334_500, 334_600 |
| Fireman's pole | 201_275 |
| Climbing | 201_060, 201_273 |
| Imagination | 201_280, 201_285, 201_290, 201_295, 202_473, 450_310, 450_320, 450_330 |
| Swinging | 250_001, 250_013, 250_025, 250_034, 250_053 |
| Functional | 123_220, 123_222, 123_230, 201_115, 201_220, 201_250, 201_260, 201_270, 202_620, 202_621, 202_622, 202_623, 202_624, 202_625, 202_626, 202_627, 202_628, 202_629, 202_824, 250_065, 250_070, 250_075 |

Applicable EU directives and standards

General

- General Product Safety Directive (GPSD) 2001\48\EG
- Reach directive 1907\2006
- AfPS GS 2019:01 PAK

Activity Toys

- Toy Safety Directive (TSD) 2009\48\EG
- EN Standard 71 Safety of Toys
 - EN 71-1:2014 + A1:2018 Safety of toys Mechanical and physical properties
 - EN 71-2:2020 Flammability
 - EN 71-3:2019 + A1:2021 Migration of certain elements
 - EN 71-8:2018 Safety of toys Activity toys for domestic use

Supplementary information

Conformity to the above specified directives and standards has been frequently verified by TÜV Rheinland LGA products, DEKRA, LNE SA, since 1994. Jungle Gym participates in the European Commission for standardisation for the safety of activity toys (TC52/WG10).



EN 71-1,-2, -3, -8 & -9

Manufacturer details

Company Name: Jungle Gym B.V.
Address: Valscherkade 18, 1059 CD Amsterdam, Netherlands
Email: info@junglegym.com

Declaration

I hereby declare under our sole responsibility that the products mentioned above, to which this declaration relates, comply with the above mentioned directives and standards when the installation, assembly, and maintenance instructions are strictly followed.

Name
Mr. P. Schmit / Director

Issued date
Thursday 20th June, 2024

A handwritten signature in blue ink, appearing to read 'P. Schmit', is written over a horizontal line.

Signature of representative

Jungle Gym B.V. | P.O. Box 75083 | 1070 AB Amsterdam | Netherlands | Phone: +31 85 444 41 00 | e-mail: info@junglegym.com | www.junglegym.com